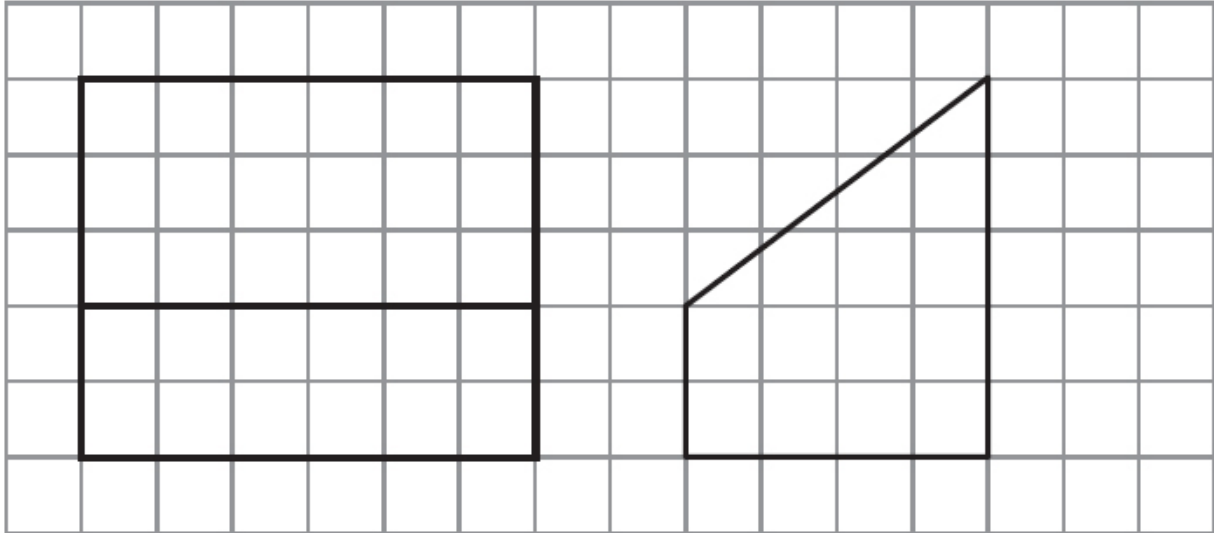


## Questions

Q1.

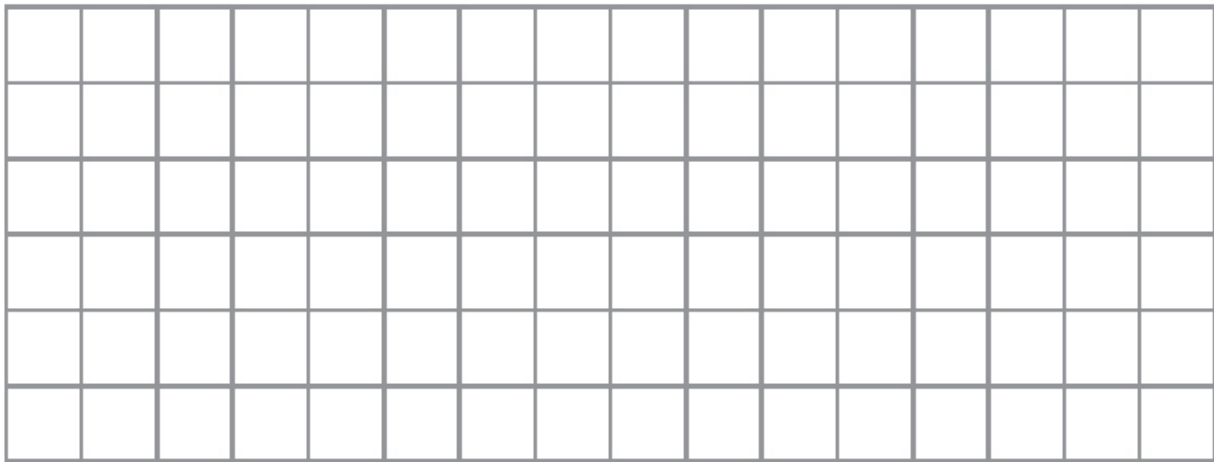
The diagram shows the front elevation and the side elevation of a prism.



Front elevation

Side elevation

(a) On the grid, draw a plan of this prism.



(2)

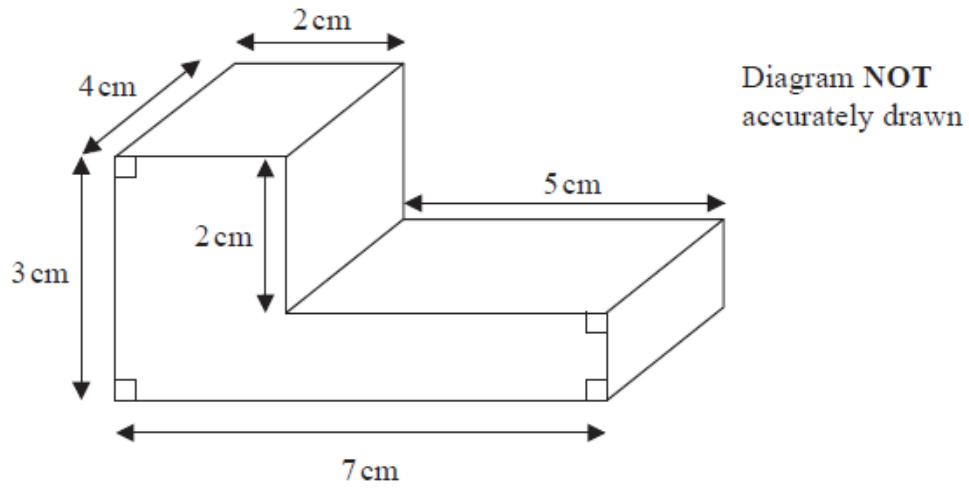
(b) In the space below, draw a sketch of this prism.

(2)

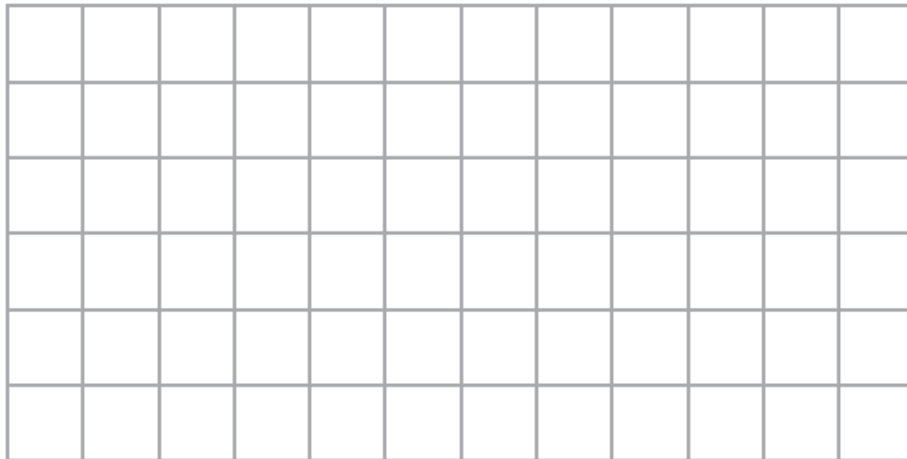
(Total for Question is 4 marks)

Q2.

The diagram shows a solid prism.



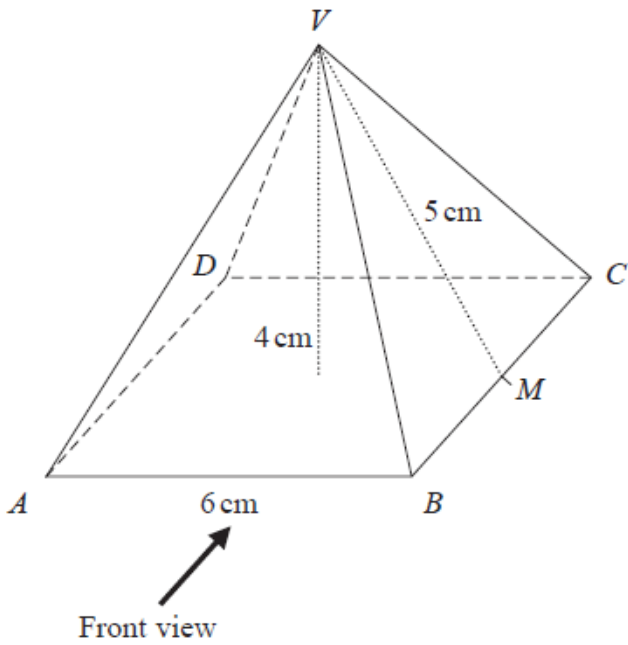
On the grid, draw an accurate plan of the solid prism.



(Total for question = 2 marks)

Q3.

Here is a solid square-based pyramid,  $VABCD$ .



The base of the pyramid is a square of side 6 cm.  
 The height of the pyramid is 4 cm.  
 $M$  is the midpoint of  $BC$  and  $VM = 5$  cm.

(a) Draw an accurate front elevation of the pyramid from the direction of the arrow.



(2)

(b) Work out the total surface area of the pyramid.

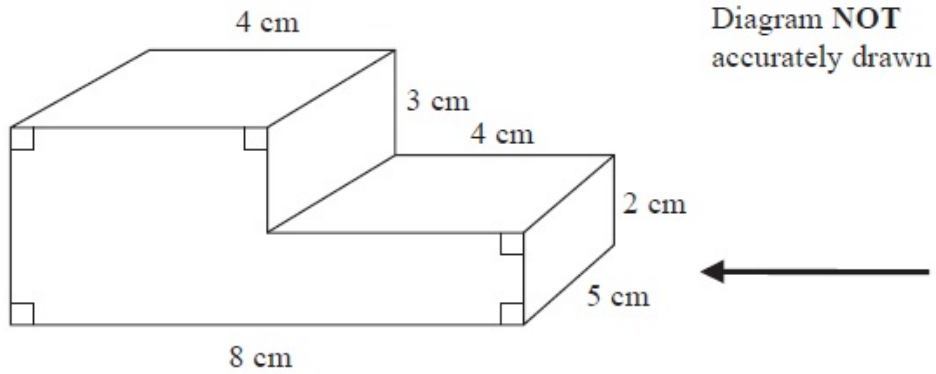
.....

(4)

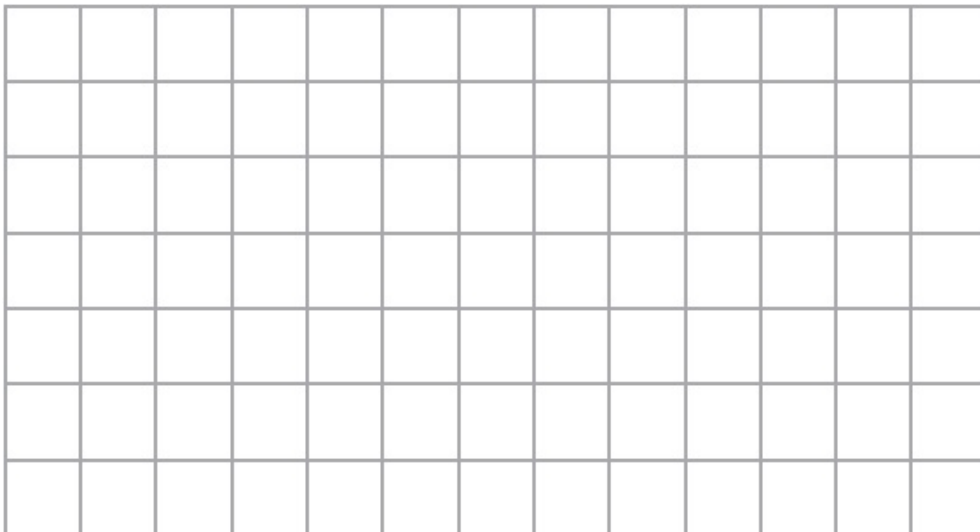
(Total for question = 6 marks)

Q4.

The diagram shows a solid prism.



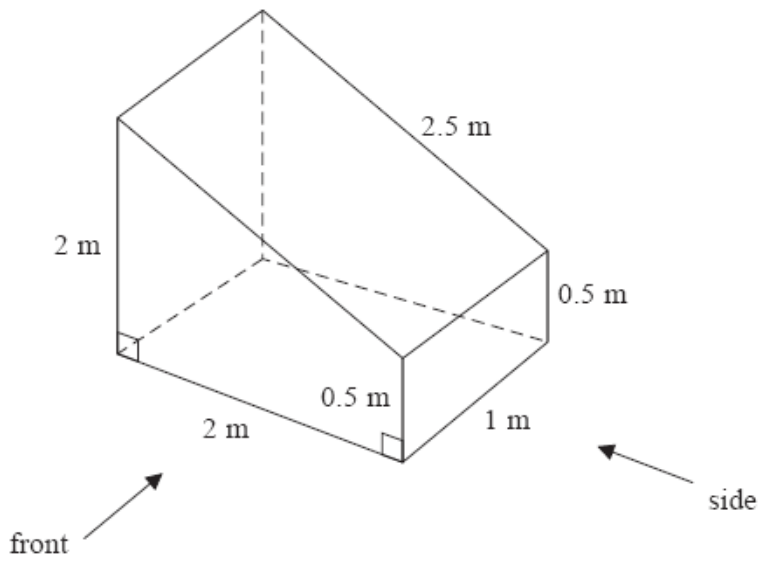
On the centimetre square grid, draw the side elevation of the solid prism from the direction shown by the arrow.



(Total for Question is 2 marks)

Q5.

The diagram shows a prism with a cross section in the shape of a trapezium.



On the centimetre grid below, draw the front elevation and the side elevation of the prism. Use a scale of 2 cm to 1 m.

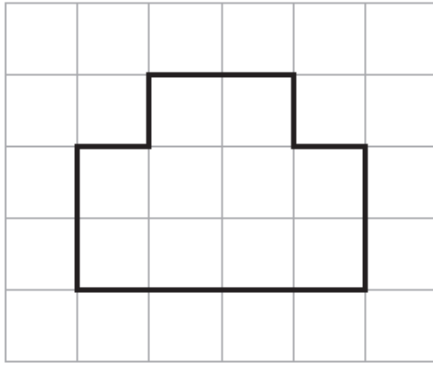


**(Total for question = 4 marks)**

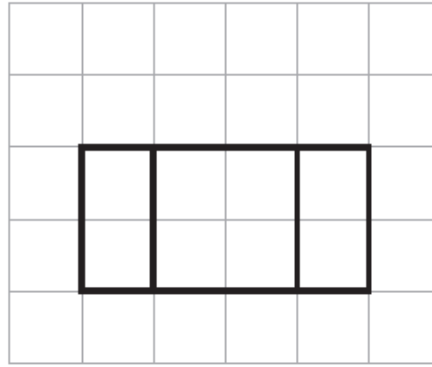
Q6.

Here are the front elevation and the plan of a prism.

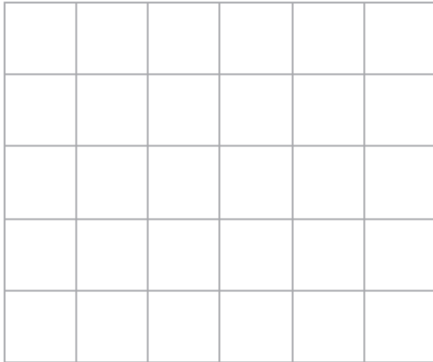
Front elevation



Plan



On the grid below, draw the side elevation of the prism.

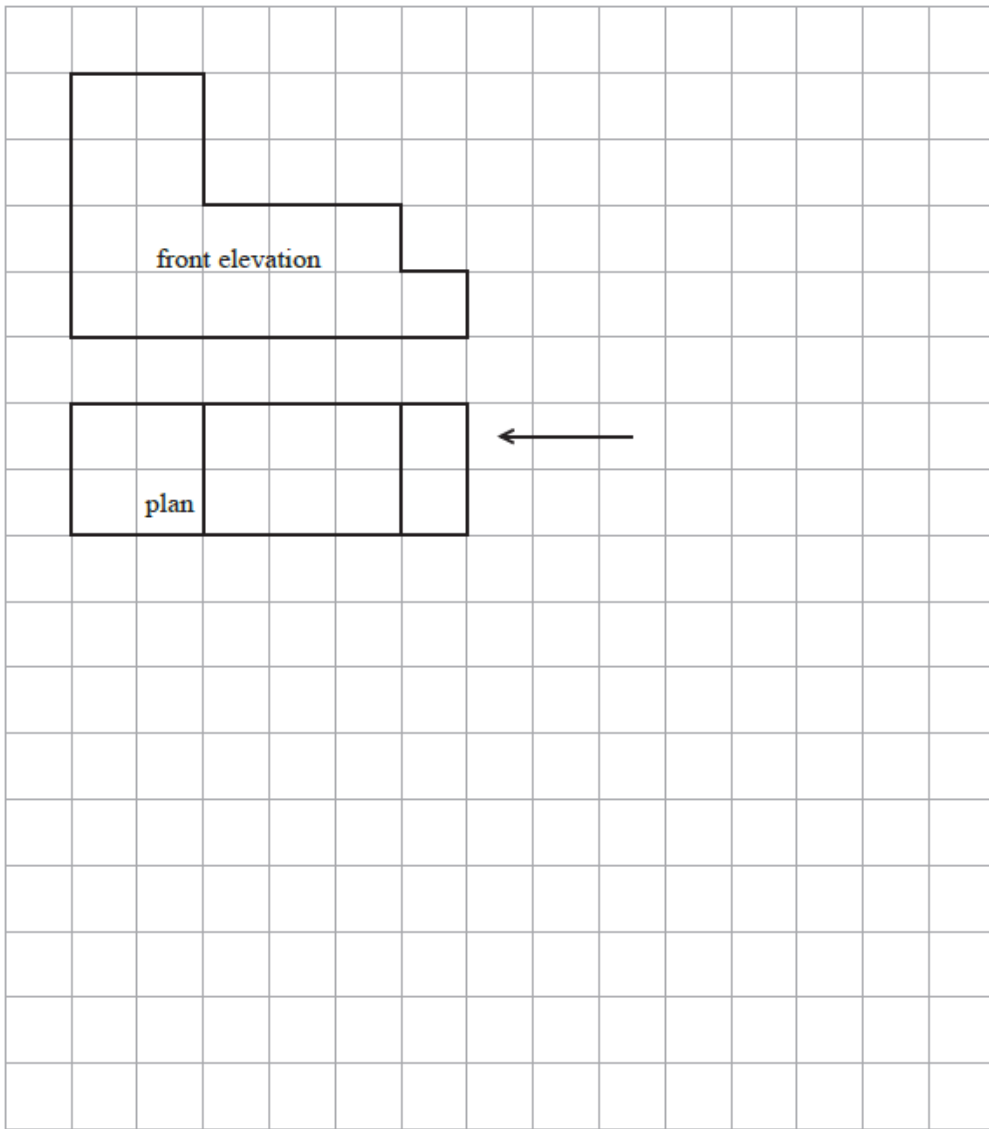


**(Total for question = 2 marks)**

Q7.

The front elevation and plan of a solid are shown on the grid.

On the grid, draw the side elevation from the direction of the arrow.



**(Total for question = 2 marks)**

Q8.

Here is a solid prism.

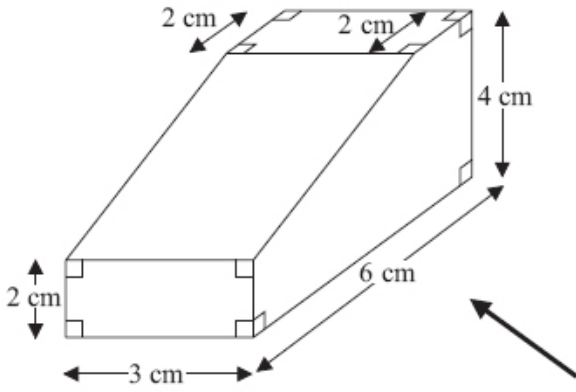
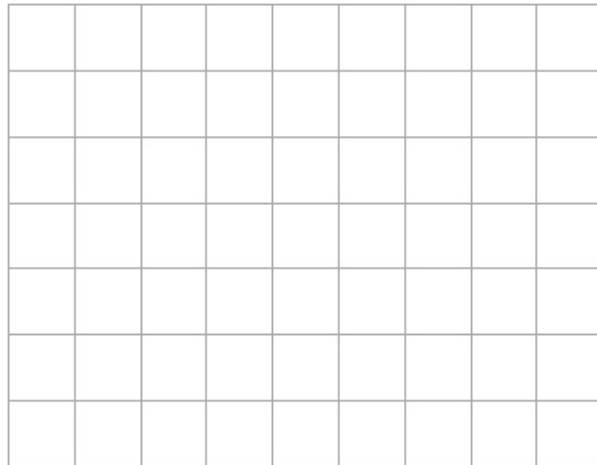


Diagram **NOT** accurately drawn

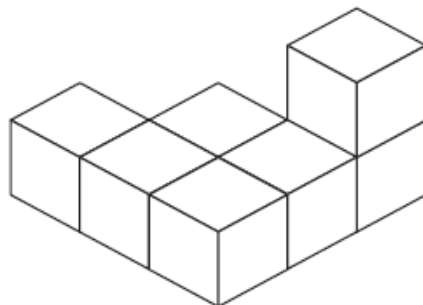
On the grid, draw an accurate side elevation of the solid prism from the direction of the arrow.



**(Total for Question is 2 marks)**

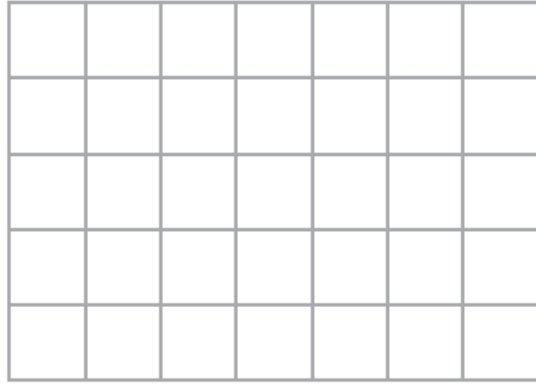
Q9.

The diagram represents a solid made from seven centimetre cubes.



On the centimetre grid below, draw a plan of the solid.

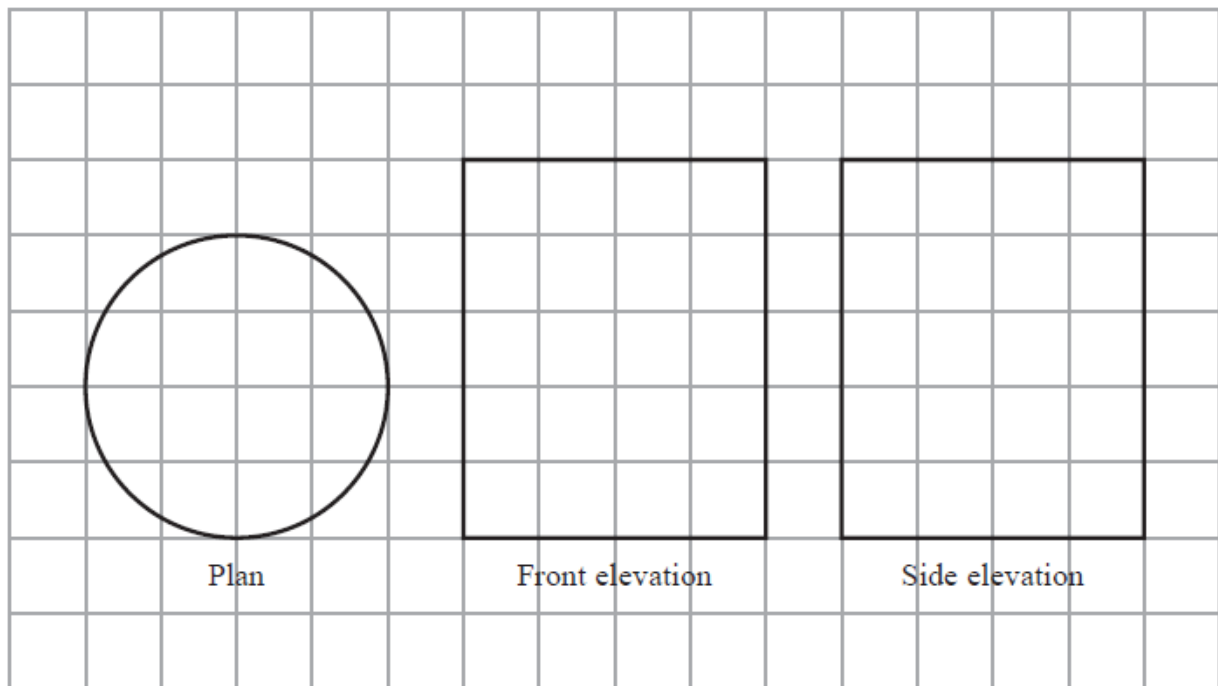




**(Total for question = 2 marks)**

Q10.

The diagram shows the plan, front elevation and side elevation of a solid shape, drawn on a centimetre grid.



In the space below, draw a sketch of the solid shape.  
Give the dimensions of the solid on your sketch.

**(Total for question = 2 marks)**

